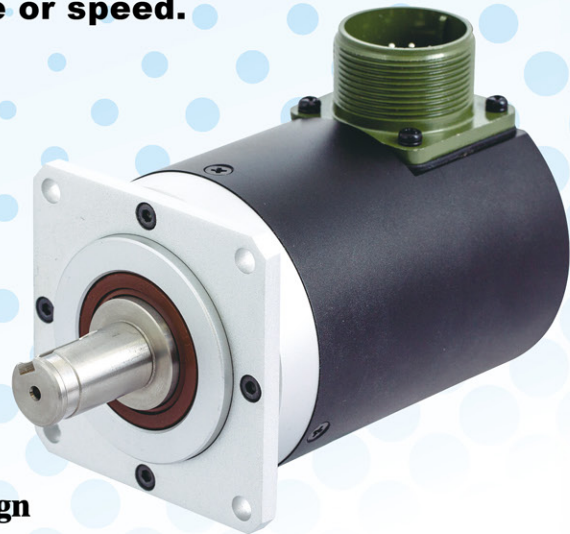


HEAVY DUTY ENCODER (INCREMENTAL)

The shaft incremental encoders are used for precision measuring to transduce position, distance angle or speed.



Features

- CE compliant incremental encoders
- Differential output for A , B , Z signal
- Protection class IP65
- Heavy duty shaft & robust construction design
- Max. Speed : 6000RPM is suitable for CNC lathe machine
- Standard with male industrial duty connector
- Female circular connector for option

Specification

Heavy Duty Encoder (Incremental)		
Electrical	Resolution	1024
	Power Supply	DC 5V \pm 10%
	Current Consumption	150mA or less
	Output Voltage	H : 2.5V or more , L : 0.5V or less
	Max. Sinking Current	40mA max.
	Signal Rising & Falling Time	200nS or less
	Max. Response	150 KHz
Mechanical	Starting Torque	1 kgf · cm
	Angular Acceleration	2×10^5 rad · s ²
	Shaft Loading	Axial : 5.0kgf , Radial : 5.0kgf
	Moment Of Inertia	170g · cm ²
	Max. Speed	6,000RPM
	Bearing Life	5×10^7 / RPM · hrs
	Weight	1100g
Environmental	Protection	IP65
	Operating Temperature	-5°C / +60°C
	Storage Temperature	-20°C / +70°C (w/o condensation)
	Humidity	35% / 85%
	Vibration	55Hz, 1.5mm X, Y, Z each direction 2h
	Shock	50G X, Y, Z each direction 3 times



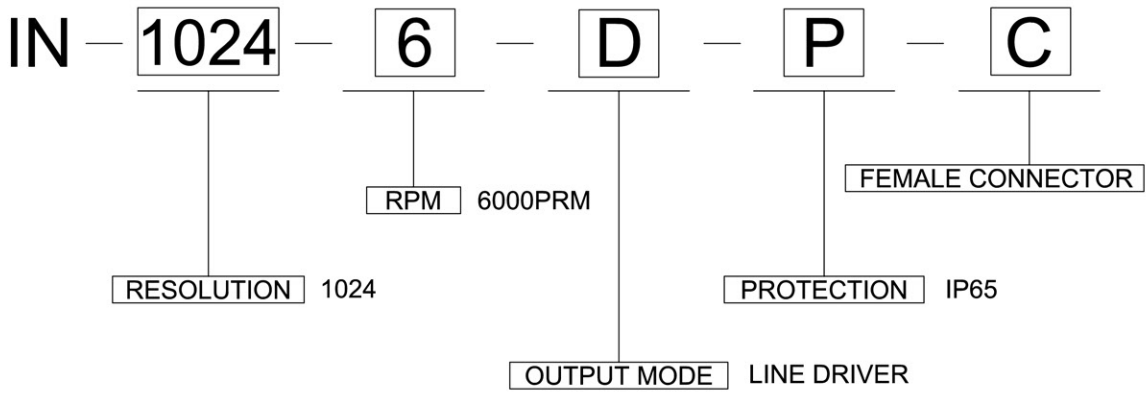
FUTURE LIFE TECHNOLOGY CO., LTD.

13Fl, No. 963, Jong-Jeng Rd., Jong-Ho Dist., New Taipei City, Taiwan 23544

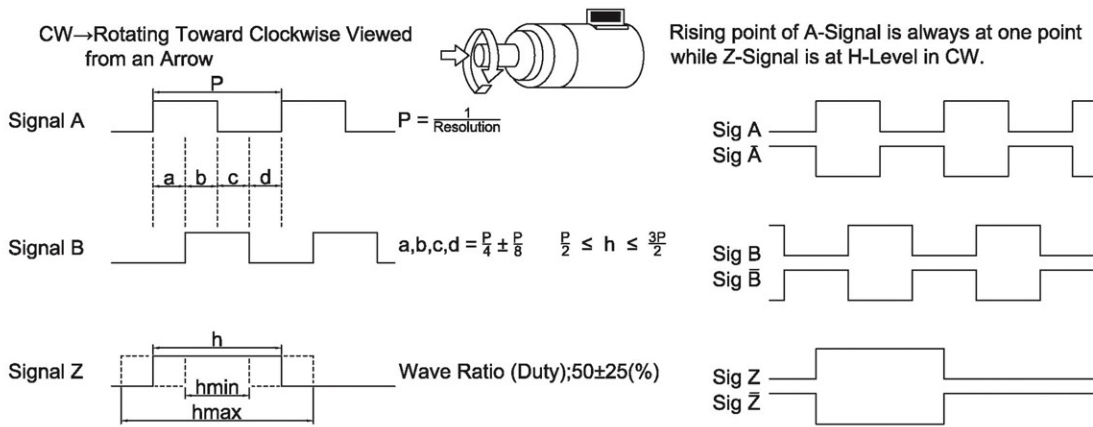
TEL : 886 + 2-8227-5339 FAX : 886 + 2-8227-5572 Email : amaker@ms24.hinet.net



Ordering Information



Waveform



Electrical Connections

No.	Function	No.	Function
A	Signal A	K	0V Common
B	Signal Z	N	Signal \bar{A}
C	Signal B	P	Signal \bar{Z}
E	F, G	R	Signal \bar{B}
H	DC+5V		

External Dimensions (mm)

